

HPAC 2.0

THE HEAT PUMP AC – WITH NO OUTDOOR UNIT



TECHNICAL SPECIFICATIONS

Innova USA | innova-usa.com

NOMENCLATURE

H2 P 8 15 L P O S

1, 2 4 5 6, 7 8 9 10 11

Basic System

H2 HPAC 2.0

System Type

P Heat Pump Only
E Heat Pump + Electric Resistance Heat
F Heat Pump with Integrated FCU

Capacity Range

8 3,139² -8,500 BTU/h
9 3,139² -10,600 BTU/h

Voltage/Phase/Frequency

15 115v / 60Hz / 1 Phase
23 230/208v / 60Hz / 1 Phase

Controller

O On-board
W Wall mount

Corrosion Protection

S Standard
C Corrosive Environment

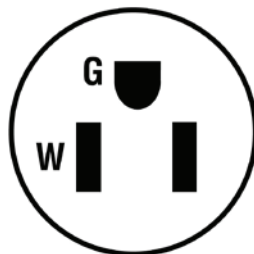
Condensate Removal

G Gravity Drain
D Disbursement System

Power Supply

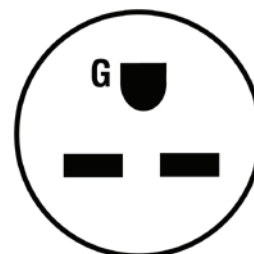
H Hardwire
L LCDI Power Cord

LCDI POWER CORD RECEPTACLE



NEMA5-15R

115V receptacle used on 115V units.



NEMA6-15R

250V receptacle used on 208/230V units.



Wall Mounted Touch Controller



On-board Backlit Touch Control



KEY BENEFITS

Sleek Inside

Clean, crisp lines inconspicuously blend into any decor. At just 6.5" deep, HPAC 2.0 will barely intrude in the room.

Clean Facade

All that's visible on the exterior are two small 6" (interior diameter) louvers that can be colored to blend discreetly into any facade.

Whisper Quiet

Ultra-quiet 27 dB for a library quiet environment.

Fast Cooling & Heating

Heat pump technology with Inverter cools down fast in the summer and heats up fast in the winter. Optional supplemental resistance heat.

Paintable

HPAC 2.0's all-metal cabinet can be painted to blend into any color scheme.

Bespoke

HPAC 2.0 can be fully integrated into a wall or cabinet with only the supply and return air outlets visible.

Perfect Comfort

Inverter technology keeps the room at a consistent temperature all the time. Auto mode selects heat or cool as needed.

Connected

Access HPAC 2.0 from Alexa or any Android/IOS device and any Windows/MAC desktop. Setup integrations with IFTT.

Flexible

HPAC 2.0 can be installed high on a wall, under a window, integrated, or even perpendicular to an outside wall¹

Superb Quality

Crafted in Italy with the highest-grade materials by skilled technicians.

No Energy Loss

HPAC 2.0's small exterior holes are completely sealed ensuring no air leakage.

Clean, Fresh Air

Breathe easier with easy to clean washable antibacterial filters, and optional HRV fresh air system.

Super-Efficient

A BLDC inverter compressor, high efficiency heat exchanger and EC fans optimize power usage making HPAC 2.0 as efficient as possible.

No Condensate

With the Integrated Condensate Dispersement System, there is no need for a drain in cooling mode as condensate is dispersed onto the heat exchanger.²

Smart

HPAC 2.0 can be easily programmed with different schedules for each day of the week. Control a group of HPAC 2.0's via the app. Touch-screen lock, and temperature limiting offer full control. Auto restarts after a power outage.

Intuitive Controls

Wi-Fi, desktop app, on-board and wall mountable touch-screen with dimmable backlit display.

Saves Energy

Comprehensive and easy-to-program scheduling as well as sleep mode. Occupancy sensors can limit wasted power.

Unrivald Reliability

Reliability backed up with industry-leading 10-year limited warranty.

¹ Requires optional Sidewall Kit

² Requires optional Integrated Condensate Dispersement System which must be Specified when ordering.

PERFORMANCE

| Model | | H2P815XXXX | H2P915XXXX | H2P823XXXX | H2E815XXXX | H2E823XXXX |
|----------------------|----------------------------|----------------|----------------------------|--|--|------------|
| Cooling | Rated Capacity | Btu/h | | | 8,100 ¹ | |
| | Capacity Range (Min - Max) | Btu/h | 3,139 ² - 8,500 | 3,139 ² - 10,600 ³ | | |
| | Input Power (Rated) | W | | 730 | | |
| | Input Power (Max) | W | 780 | 1,060 | | |
| | Turndown Ratio | | | 3.4:1 | | |
| | Energy Efficiency | SEER | | 18 | | |
| | | EER | | 11.6 | | |
| | Moisture Removal | Pts/h | | 1.9 | | |
| Sensible Heat Factor | | | 0.86 | | | |
| Heating 47°F | Rated Capacity | Btu/h | | | 8,100 ⁴ | |
| | Capacity Range (Min - Max) | Btu/h | 2,635 ² - 8,500 | 2,635 ² - 10,407 ³ | | |
| | Input Power (Rated) | W | | 720 | | |
| | Input Power (Max) | W | 775 | 1060 | | |
| | Defrost Method | | | Reverse Cycle | | |
| | Turndown Ratio | | | 4:1 | | |
| | Energy Efficiency | HSPF (IV) | | 10.3 | | |
| | | COP | | 3.3 | | |
| Heating 47°F | Electric Heater Size | kW | | N/A | 1.0 | |
| | Rated Capacity | Btu/h | | 8,100 ⁴ | 11,500 ⁵ | |
| | Capacity Range (Min - Max) | Btu/h | 2,635 ² - 8,500 | 2,635 ² - 10,407 ³ | 2,635 ² - 14,114 ³ | |
| | Input Power (Rated) | W | | 720 | 1,720 | |
| | Input Power (Max) | W | 775 | 1,060 | 2,060 | |
| | Energy Efficiency | HSPF (IV) | | 10.3 | | |
| | | COP | | 3.3 ⁶ | | |
| | Heating 17°F | Rated Capacity | Btu/h | | 3,400 ⁷ | |
| Input Power (Rated) | | W | | 420 | | |
| Input Power (Max) | | W | 775 | 1,060 | | |
| Heating 17°F | Electric Heater Size | kW | | N/A | 1.0 | |
| | Rated Capacity | Btu/h | | 3,400 ⁷ | 6,800 ⁸ | |
| | Input Power (Rated) | W | | 420 | 1,420 | |
| | Input Power (Max) | W | 775 | 1,060 | 2,060 | |

¹ Rating conditions: Indoor: D.B. 80°F, W.B. 67°F; Outdoor: D.B. 95°F, W.B. 75°F.

² Minimum capacity.

³ Maximum capacity including 2,400 BTU/h boost mode, system is not designed to run on max capacity on a continuous basis. Design should be based on Rated Capacity.

⁴ Rating conditions: Indoor: D.B. 70°F, W.B. 60°F; Outdoor: D.B. 47°F, W.B. 43°F.

⁵ Rating conditions: Indoor: D.B. 70°F, W.B. 60°F; Outdoor: D.B. 47°F, W.B. 43°F with supplemental 1 kw electric heat strip.

⁶ COP performance bases on reverse cycle heat pump only.

⁷ Rating conditions Indoor: D.B. 70°F, W.B. 60°F; Outdoor: D.B. 17° F, W.B. 15° F.

⁸ Rating conditions Indoor: D.B. 70°F, W.B. 60°F; Outdoor: D.B. 17° F, W.B. 15° F with supplemental 1 kw electric heat strip.

ELECTRICAL, COMPRESSOR & AIRFLOW

| Model | | H2P815XXXX | H2P915XXXX | H2P823XXXX | H2E815XXXX | H2E823XXXX | |
|--------------------|--------------------------------|----------------------|--------------------------------------|--|------------|------------|------|
| Compressor | Type | BLDC Rotary Inverter | | | | | |
| | Brand | Panasonic | | | | | |
| | RLA | A | 5.2 | 7.9 | 2.84 | 5.2 | 2.84 |
| | LRA | A | 7.1 | 8.5 | 3.87 | 7.1 | 3.87 |
| | Refrigerant | Type | R410A | | | | |
| | | Oz. | 21.87 | | | | |
| | Oil | Type | FV50S | | | | |
| | | Oz. | 8.45 | | | | |
| Electrical | Voltage | 115 | | 208/230 | 115 | 208/230 | |
| | Volt Range | 110/126 | | 197/253 | 110/126 | 197/253 | |
| | Hz/ Phase | 60 / 1 | | | | | |
| | Power Supply | LCDI | | Hardwired ¹ or LCDI Power Cord ² | | | |
| | Power Factor | 0.96 | | | | | |
| | Cooling (Rated) | A | 6.4 | 3.5/3.2 | 6.7 | 3.5/3.2 | |
| | Heating - (Rated) ³ | A | 6.3 | 3.5/3.2 | 15.0 | 8.3/7.5 | |
| | Outdoor EC Fan Motor | F.L.A. | 0.42 | | | | |
| | | HP | 1.2 | | | | |
| | Indoor EC Fan Motor | F.L.A. | 0.23 | | | | |
| | MCA ³ | A | 7.3 ⁴ | 9.3 | 5.1/4.6 | 18 | 10/9 |
| | MOCP ³ | A | 15 | 15 | 15 | 25 | 15 |
| | Input Power (standby) | W | 108 | | | | |
| | Input Power (off mode) | W | 1.7 | | | | |
| | Airflow | Indoor | Type | EC Tangential | | | |
| CFM | | | 194/229/282 | | | | |
| Speeds | | | 3 and Auto | | | | |
| Control | | | Motorized Louver | | | | |
| dB(A) ⁵ | | | 27/33/41 | | | | |
| Outdoor | | Type | EC Centrifugal | | | | |
| | | Speeds | Fully Variable Auto | | | | |
| | | CFM | 200/265/325 | | | | |
| | | dB(A) ⁶ | 38/45/51 | | | | |
| | | Vent | Dual 6" Inside Diameter ⁷ | | | | |

¹ All units require a Leak Current Detector Interrupter (LCDI) power cord unless hardwired with a dedicated breaker to UL 484 standards.

² LDCI power cord must be specified when ordering.

³ MCA ratings conform to National Electric Code; however, local codes should apply. For models with electric heat, the amps include the electric heat strip of 1 kW

⁴ Conforms with National Electrical Code 440.62 to allow H2P815XXXX on a 15A branch circuit where lighting outlets, other appliances, or general-use receptacles are also supplied, as the total rating of the cord-and plug-connected H2P815XXXX (7.3A) uses less than 50% of the 15A branch circuit.

⁵ Sound Pressure: When floor mounted, sound level is measured 39.4 in. from air-outlet in horizontal distance, 39.4 in. above the floor in vertical distance. When high wall-mounted, sound level is measured 39.4 in. from air-outlet in horizontal distance, 39.4 ft. from air-outlet in vertical distance.

⁶ Sound Pressure: Anechoic chamber conversion value, measured at a point 39.4 in. from the front of the unit at a height of 39.4 in. During actual operation, these values are normally somewhat higher as a result of ambient conditions.

⁷ Must use approved grilles and sleeves.

PHYSICAL DATA/ WARRANTY

| Model | | H2P815XXXX | H2P915XXXX | H2P823XXXX | H2E815XXXX | H2E823XXXX |
|-----------------------------|----------------------|--|---|------------|------------|------------|
| Controls | Basic Functionality | Backlit, Dimable, On-board Touch Control or Wall-Mounted Touch Controller ¹ | | | | |
| | Wi-Fi | YES | | | | |
| | ADA Compliant | YES | | | | |
| | Dry Contact | Connection to 3rd Party Occupancy Sensors/Hardware | | | | |
| | Restricted Options | Key Pad Lock | | | | |
| | Power Outage Restart | Auto-On Based On Last Setting | | | | |
| Modes | Operation | Cool, Heat, Dehumidify, Circulation, Auto ² | | | | |
| | Restricted Modes | Heat Only, Cool Only, Temperature Limiting ³ | | | | |
| | Timers | 7-day, Sleep Mode ⁴ | | | | |
| Air Quality | Filter | Type | Lift-out, Washable Antibacterial Mesh | | | |
| | Power Supply | Class | MERV 2 | | | |
| | Fresh Air | | Optional HRV Available | | | |
| Condensate Removal | Cooling | | Optional Integrated Condensate Dispersion System ⁵ | | | |
| | Heating (Heat Pump) | | Gravity Drain or Field Installed Pump | | | |
| | Drain Pipe Size | In. | 3/4 | | | |
| External Vents | Vent Pipes | In. | Dual 6" (Interior Diameter) Pipes | | | |
| | Grilles | | Standard and Custom Options Available | | | |
| Physical Data | Unit | In. | 39.7 W x 21.9 H x 6.5 D | | | |
| | Shipping | In. | 43.31 W x 26 H x 10.3 D | | | |
| | Net Weight | Lbs. | 90.4 | | | |
| | Shipping Weight | Lbs. | 99.2 | | | |
| | Cabinet | Color | RAL 9003 Signal White - Can Be Painted | | | |
| | | Finish | Powder Coated | | | |
| Material | | Steel | | | | |
| Certification | Safety | UL | | | | |
| | Energy-Star | TUV SUD | | | | |
| Warranty⁶ | 1 Year | Parts and Labor | | | | |
| | 10 Years | Parts and Labor on Compressor | | | | |
| | 2nd - 10 Year | Parts Only | | | | |
| Origin | Country of Origin | Manufactured in Storo, Italy | | | | |

¹ Controller type must be specified when ordering the unit. Additionally, the wall touch-controller may be ordered as an accessory. Only 1 controller option will work at a time. Wall controller is wired.

² On Auto mode, deadband is 7.2°F

³ This mode restricts the temperature setting to 71.5°F to 82.5°F in cooling mode and 61°F to 75°F in heating mode. It also disables dehumidification mode and automatic mode.

⁴ COOLING MODE: The fan is set to low and the temperature will automatically increase by 1.5°F after the first hour and then by 1.5°F after the second hour. After eight hours, the HPAC 2.0 Air Conditioner will automatically turn off.

HEATING MODE: The fan is set to low and the temperature will automatically lower by 1.5°F after the first hour and then by another 1.5°F after the second hour. After eight hours, the HPAC 2.0 Air Conditioner will automatically turn off.

⁵ Must be specified when ordering unit, can not be field installed.

⁶ Warranty limited to installations in the United States only. See warranty documentation for full details.

ACCESSORIES

| Control | Accessory Name | Model # | Description |
|-------------------------------------|--|------------------------------------|--|
| Control¹ | Wall-Mounted Touch Controller | Black: ECB03111 White: ECA03111 | HPAC 2.0 is available from the factory with two options for controllers, on-board or, a wall-mounted. For systems ordered with an on-board controller, where a wall controller is now desired, the smart touch wall controller can be connected to the unit instead of the on-board touch controller. |
| Condensate Removal | Nebulizer | COVA0010211 | For the most energy-efficient solution when replacing air conditioning and radiator supplied heat, pair the HPAC 2.0 with an FCU. The Integrated FCU enables heat pump during the mild winter and water based heat from a boiler during the coldest winter temperatures. The FCU is designed to replace the radiator by connecting to the radiators hot water pipes. |
| Mounting | Sidewall Adapter | GB074011 | Where it's not feasible or practical to mount the HPAC 2.0 on an exterior wall, HPAC 2.0 can be mounted on a wall perpendicular to the exterior using the SWA. The SWA is recessed into the wall and includes additional fans that assist the supply and exhaust air through the bend. SWA is available in a right or left side application. |
| | Underbody Cover Plate | CB073711 | When mounting HPAC 2.0 in a high-wall position, the unfinished steel underbody of the unit will be visible. The underbody cover conceals the unfinished steel with a cover plate in the same color (RAL 9003) and finish as the unit. |
| | Sub Base | GB074011 | Where HPAC 2.0 can not be installed on a supporting wall such as a glass curtain wall installation, the unit can be mounted on the floor with steel support brackets. A decorative base cover in the same color and finish as the unit provides a finished look. |
| | Blank Front Cover ² | COV02011 | When adding a smart touch wall controller to an existing unit that includes an on-board controller, there is a dummy plate that covers the opening. For optimum aesthetics, we offer a replacement front cover without the opening for the on-board display so that there is no need for a dummy plate. |
| Exterior Grilles³ | Retrofit | 6ILS-8F | When installing in an existing wall this allow for a watertight installation. Can be color matched to any color palette from either Benjamin Moore or Sherwin Williams. |
| | Brick | 6SEB-BR | For new brick construction, 6SEB-BR offers a flangless grille and allows for a watertight installation. Can be color matched to any color palette from either Benjamin Moore or Sherwin Williams. |
| | Stucco, siding or metal panels | 6SEB-S | For new stucco, siding or metal panels construction, 6SEB-S offers a flangless grille and allows for a watertight installation. Can be color matched to any color palette from either Benjamin Moore or Sherwin Williams. |
| | Metal, glass, precast siding and composite panel | 6SEB-FC | For new Metal, glass, precast siding and composite panel construction, 6SEB-FC offers a flangless grille and allows for a watertight installation. Can be color matched to any color palette from either Benjamin Moore or Sherwin Williams. |
| Heating⁴ | Integrated Fan Coil Unit (FCU) | COF041C211 | For the most energy-efficient solution when replacing air conditioning and radiator supplied heat, pair the HPAC 2.0 with an FCU. The Integrated FCU enables heat pump during the mild winter and water based heat from a boiler during the coldest winter temperatures. The FCU is designed to replace the radiator by connecting to the radiators hot water pipes. |
| Fresh Air | Hear Recovery Ventilation (HRV) | GR076511 | Bring in 14 CFM of fresh air into the room in a controlled manner with our integrated HRV (heat recovery ventilation). The HRV heats or cools the outside air before introducing it into the system as fresh air, significantly improves the efficiency when introducing outside fresh air – powered by the HPAC 2.0. |

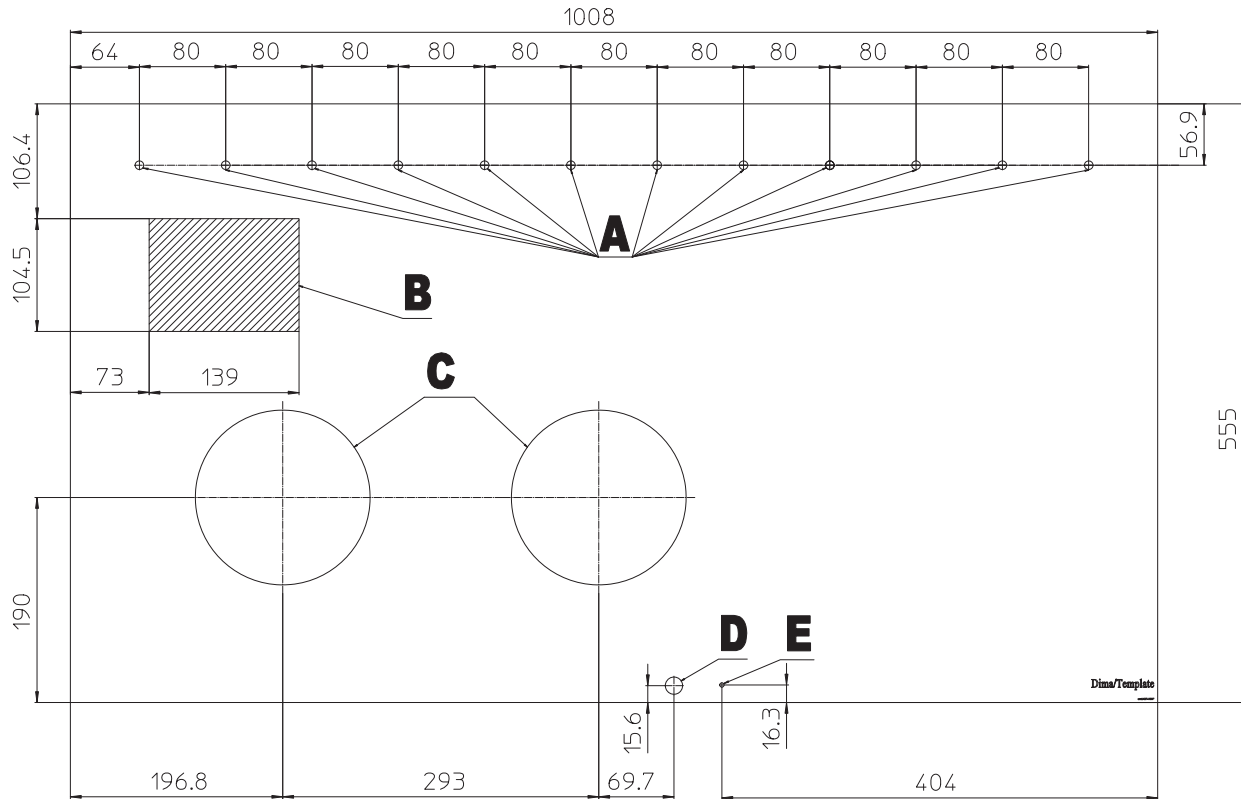
¹ Wall mounted controller may be ordered as an accessory or specified when ordering the unit.

² This is only recommended when ordering a wall controller after the unit has been delivered.

³ Exterior grilles are required and without using these specified grilles, the warranty is void.

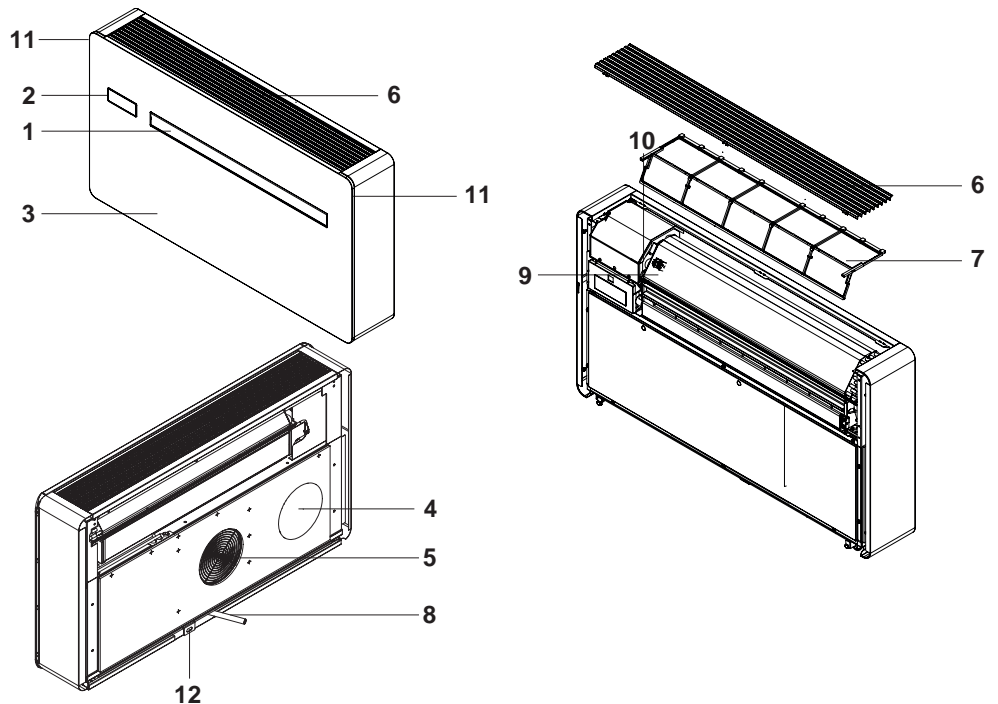
⁴ Must be specified when placing order of system.

MOUNTING TEMPLATE

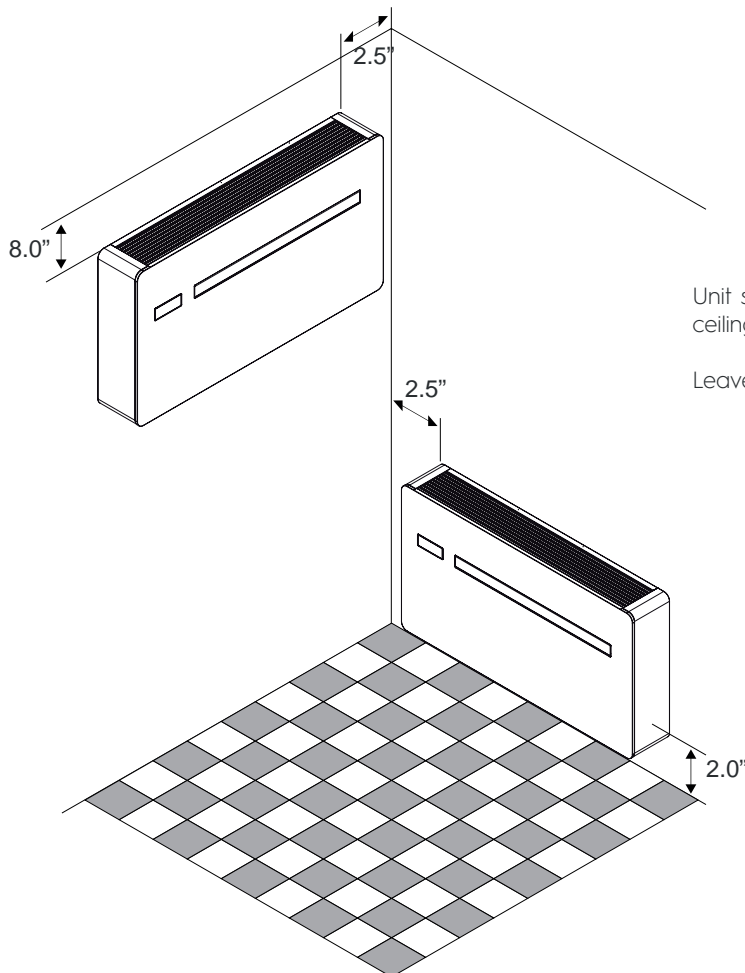
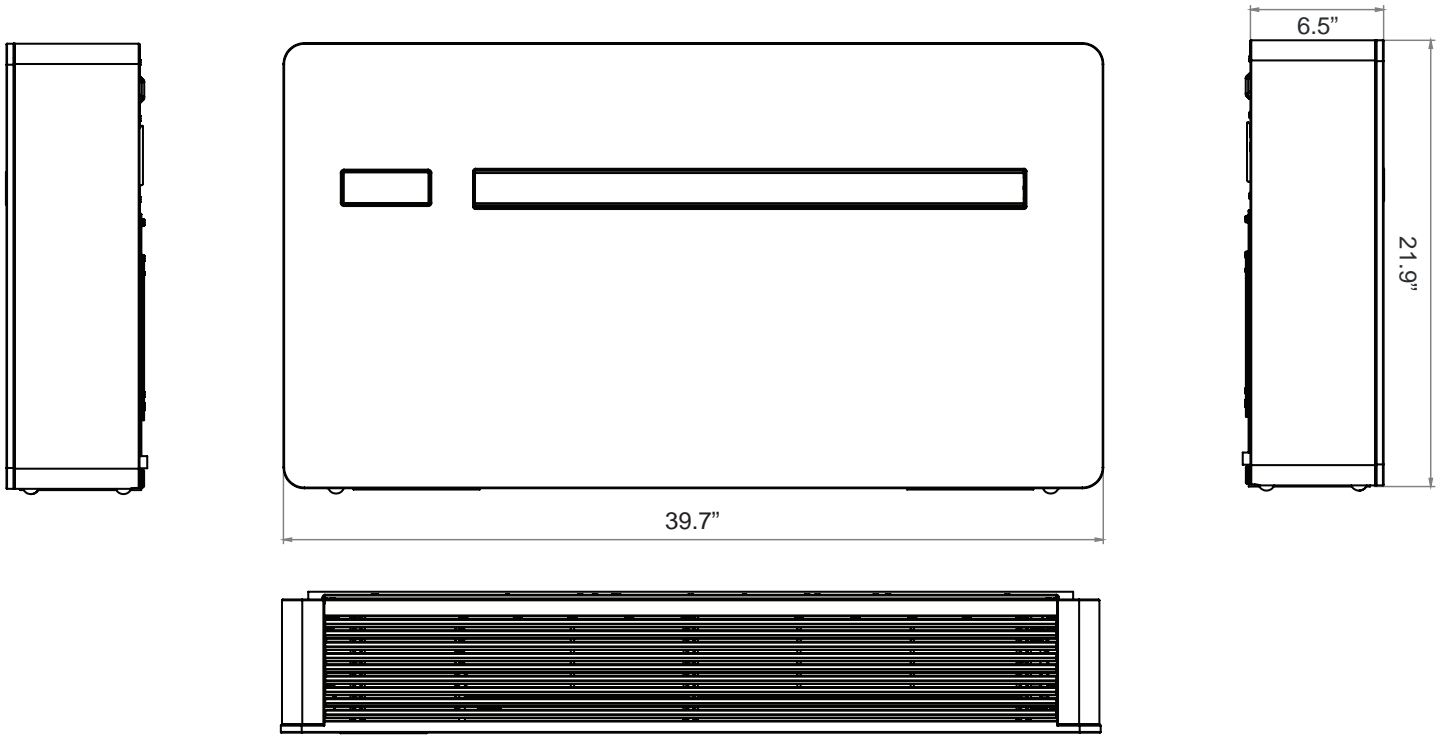


- A** Holes for fastening wall bracket
- B** Electrical connection area
- C** Holes for air vent pipes
- D** Holes for external condensate drain
- E** Anti-lifting bracket hole

- 1** Adjustable air louver
- 2** Touch screen display
- 3** Front cover panel
- 4** Outdoor air suction
- 5** Outdoor air outlet
- 6** Internal air intake grille
- 7** Ventilation filter
- 8** Condensate drain pipe
- 9** Temperature sensor
- 10** Power supply terminal block
- 11** Side panels
- 12** Anti-lifting bracket



DIMENSIONS



Unit should be installed no closer than 8" from the ceiling and no closer than 2" from the floor.

Leave a minimum of 2.5" on the side of the unit.



©2020 Innova USA, Inc. All rights reserved.

Innova, HPAC 2.0, Ephoca and the Butterfly logo are trademarks of Innova SRL - Italy. Innova USA, Inc. is the US subsidiary of Innova SRL. All other product names mentioned herein are trademarks or registered trademarks of their respective owners.

ENERGY STAR and the ENERGY STAR mark are registered trademarks owned by the United States Environmental Protection Agency.

Specifications shown in this brochure are subject to change without notice. See complete warranty for terms, conditions and limitations. A copy is available from Innova USA.

For more information visit www.innova-usa.com